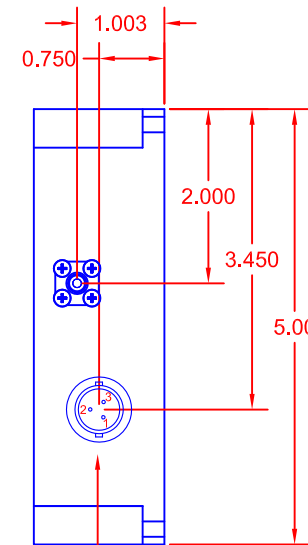
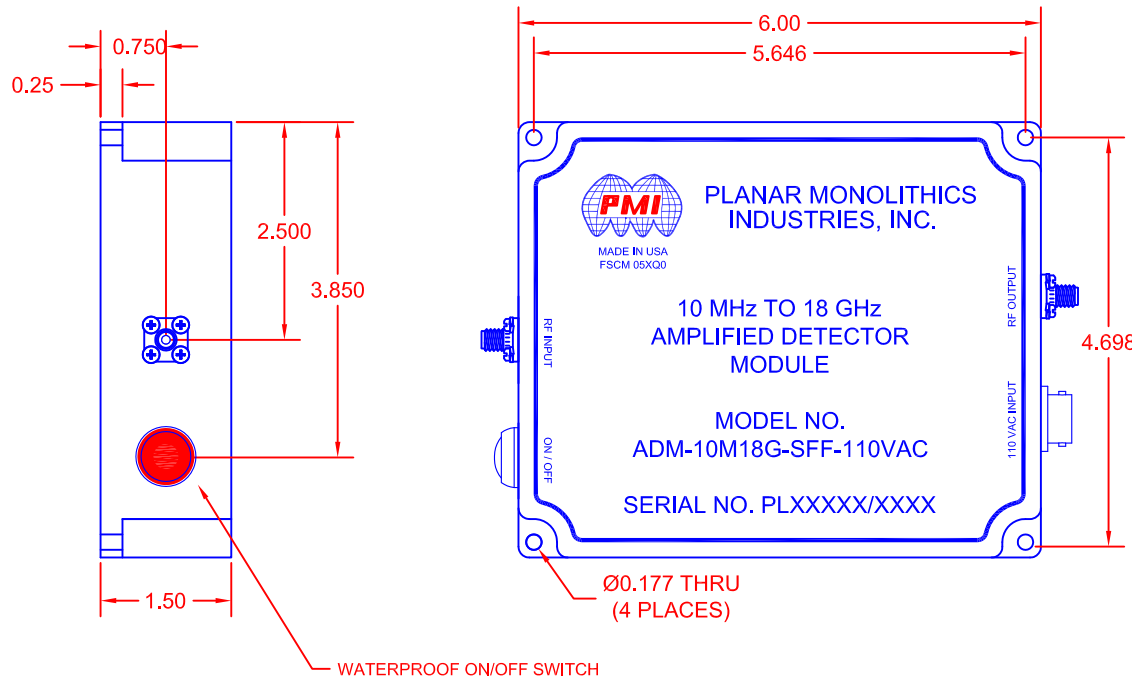


DESCRIPTION

PMI MODEL NO. ADM-10M18G-SFF-110VAC IS A STATE-OF-THE-ART 10 MHz TO 18.0 GHz INTEGRATED SUBSYSTEM THAT ALLOWS USERS TO INPUT RF SIGNALS AND PROVIDE AUTOMATIC DETECTION WHEN SIGNAL LEVELS FALL BELOW -30 dBm AND AUTOMATICALLY SWITCH IN A LOW NOISE AMPLIFIER SUCH THAT LOW LEVEL SIGNALS CAN REMAIN DETECTABLE. THE PURPOSE OF THIS MODULE IS TO PROVIDE OPTIMUM RF SIGNAL LEVELS TO A RF/FIBER CONVERTER MODULE. THE UNIT IS POWERED BY STANDARD 110VAC. THE RF INPUT IS VIA A SMA FEMALE CONNECTOR AND THE OUTPUT IS VIA A SMA FEMALE CONNECTOR. THIS PRODUCT IS CONFIGURED FOR IN SYSTEM OPTIMIZATION SUCH THAT THE END USER CAN CHANGE THE VALUE OF THE FIXED ATTENUATOR LEVEL BY CHANGING THE INTERNAL SMA SCREW-ON ATTENUATOR.

REVISIONS				
ZONE	REV.	DESCRIPTION	DATE	APPROVED
	1	ORIGINAL RELEASE	5/15/15	
	2	SPECIFICATION CHANGES	11/4/2015	

MECHANICAL OUTLINE



PIN	FUNCTION
1	LIVE
2	NEUTRAL
3	GND

ENVIRONMENTAL RATINGS

- TEMPERATURE: ———— -20 °C TO +50 °C (OPERATING)
 ———— -40 °C TO +85 °C (STORAGE)
- HUMIDITY: ———— MIL-STD-202F, METHOD 103B COND. B
- SHOCK: ———— MIL-STD-202F, METHOD 213B COND. B
- ALTITUDE: ———— MIL-STD-202F, METHOD 105C COND. B
- TEMPERATURE CYCLE: ———— MIL-STD-202F, METHOD 107D COND. A

NOTE: SPECIFICATIONS WILL VARY OVER OPERATING TEMPERATURE

NOTE: THE ABOVE SPECIFICATIONS ARE SUBJECT TO CHANGE OR REVISION

ALL DIMENSIONS ARE IN INCHES
 TOLERANCES:
 X.XX ±0.020
 X.XXX ±0.010

PMI CONFIDENTIAL AND PROPRIETARY

PLANAR MONOLITHICS INDUSTRIES, INC.
 7311-F GROVE ROAD
 FREDERICK, MARYLAND 21704 USA
 TEL: (301)-662-5019, FAX: (301)-662-1731
 WEB: www.pmi-rf.com, EMAIL: sales@pmi-rf.com
 ISO 9001 CERTIFIED



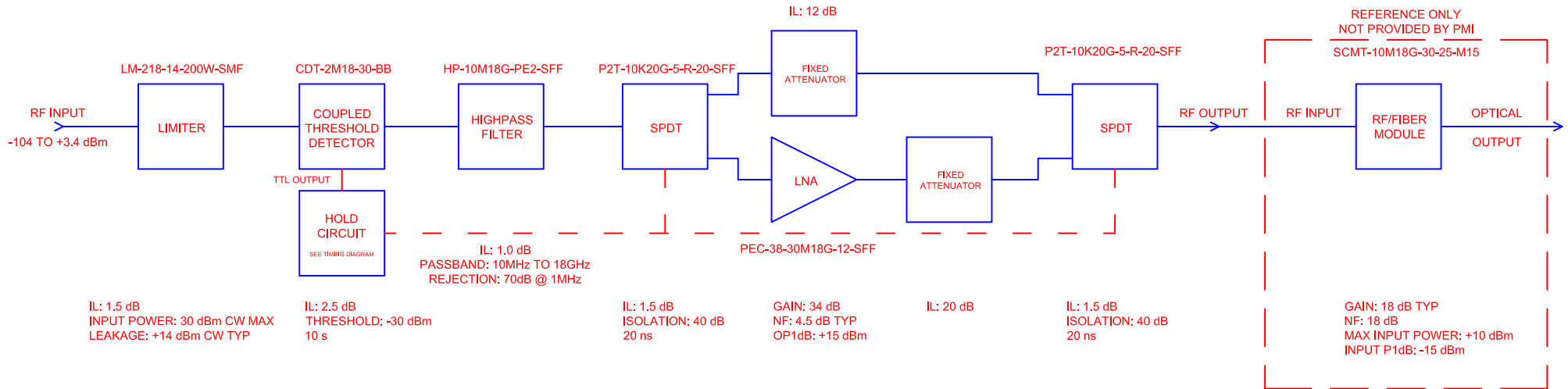
APPROVALS		DATE	TITLE		
DRAWN <i>M. Berry</i>		05/12/15	PRODUCT FEATURE ADM-10M18G-SFF-110VAC		
CHECKED			SIZE A	FSCM NO. 05XQ0	DWG NO. 27025451
ISSUED			SCALE N:S		REV. 2
				SHEET	1 OF 5

DESCRIPTION

PMI MODEL NO. ADM-10M18G-SFF-110VAC IS A STATE-OF-THE-ART 10 MHz TO 18.0 GHz INTEGRATED SUBSYSTEM THAT ALLOWS USERS TO INPUT RF SIGNALS AND PROVIDE AUTOMATIC DETECTION WHEN SIGNAL LEVELS FALL BELOW -30 dBm AND AUTOMATICALLY SWITCH IN A LOW NOISE AMPLIFIER SUCH THAT LOW LEVEL SIGNALS CAN REMAIN DETECTABLE. THE PURPOSE OF THIS MODULE IS TO PROVIDE OPTIMUM RF SIGNAL LEVELS TO A RF/FIBER CONVERTER MODULE. THE UNIT IS POWERED BY STANDARD 110VAC. THE RF INPUT IS VIA A SMA FEMALE CONNECTOR AND THE OUTPUT IS VIA A SMA FEMALE CONNECTOR. THIS PRODUCT IS CONFIGURED FOR IN SYSTEM OPTIMIZATION SUCH THAT THE END USER CAN CHANGE THE VALUE OF THE FIXED ATTENUATOR LEVEL BY CHANGING THE INTERNAL SMA SCREW-ON ATTENUATOR.

REVISIONS				
ZONE	REV.	DESCRIPTION	DATE	APPROVED
	1	ORIGINAL RELEASE	5/15/15	
	2	SPECIFICATION CHANGES	11/4/2015	

FUNCTIONAL BLOCK DIAGRAM



ENVIRONMENTAL RATINGS

- TEMPERATURE: _____ -20 °C TO +50 °C (OPERATING)
_____ -40 °C TO +85 °C (STORAGE)
- HUMIDITY: _____ MIL-STD-202F, METHOD 103B COND. B
- SHOCK: _____ MIL-STD-202F, METHOD 213B COND. B
- ALTITUDE: _____ MIL-STD-202F, METHOD 105C COND. B
- TEMPERATURE CYCLE: _____ MIL-STD-202F, METHOD 107D COND. A

NOTE: SPECIFICATIONS WILL VARY OVER OPERATING TEMPERATURE

NOTE: THE ABOVE SPECIFICATIONS ARE SUBJECT TO CHANGE OR REVISION

ALL DIMENSIONS ARE IN INCHES
TOLERANCES:
X.XX ±0.020
X.XXX ±0.010

PMI CONFIDENTIAL AND PROPRIETARY

PLANAR MONOLITHICS INDUSTRIES, INC.
7311-F GROVE ROAD
FREDERICK, MARYLAND 21704 USA
TEL: (301)-662-5019, FAX: (301)-662-1731
WEB: www.pmi-rf.com, EMAIL: sales@pmi-rf.com
ISO 9001 CERTIFIED



APPROVALS		DATE	TITLE			REV.
DRAWN <i>M. Berry</i>		05/12/15	PRODUCT FEATURE ADM-10M18G-SFF-110VAC			2
CHECKED			SIZE A	FSCM NO. 05XQ0	DWG NO. 27025451	
ISSUED			SCALE N:S		SHEET 2 OF 5	

DESCRIPTION

PMI MODEL NO. ADM-10M18G-SFF-110VAC IS A STATE-OF-THE-ART 10 MHz TO 18.0 GHz INTEGRATED SUBSYSTEM THAT ALLOWS USERS TO INPUT RF SIGNALS AND PROVIDE AUTOMATIC DETECTION WHEN SIGNAL LEVELS FALL BELOW -30 dBm AND AUTOMATICALLY SWITCH IN A LOW NOISE AMPLIFIER SUCH THAT LOW LEVEL SIGNALS CAN REMAIN DETECTABLE. THE PURPOSE OF THIS MODULE IS TO PROVIDE OPTIMUM RF SIGNAL LEVELS TO A RF/FIBER CONVERTER MODULE. THE UNIT IS POWERED BY STANDARD 110VAC. THE RF INPUT IS VIA A SMA FEMALE CONNECTOR AND THE OUTPUT IS VIA A SMA FEMALE CONNECTOR. THIS PRODUCT IS CONFIGURED FOR IN SYSTEM OPTIMIZATION SUCH THAT THE END USER CAN CHANGE THE VALUE OF THE FIXED ATTENUATOR LEVEL BY CHANGING THE INTERNAL SMA SCREW-ON ATTENUATOR.

SPECIFICATIONS

- FREQUENCY RANGE: _____ 10 MHz TO 18.0 GHz
- RF INPUT POWER: _____ 1 WATT CW (+30 dBm) MAXIMUM
- THRESHOLD LEVEL: _____ -30 dBm
- INSERTION LOSS (INPUT TO OUTPUT): — 19 dB TYPICAL (RF > -29 dBm WITH INTERNAL FIXED 12 dB ATTENUATOR) - SEE SHEET 4
- RF GAIN: _____ 15 dB TYPICAL (RF > -31 dBm WITH INTERNAL FIXED 12 dB ATTENUATOR) - SEE SHEET 4
- NOISE FIGURE: _____ 37 dB TYPICAL (WITH NO LNA SELECTED & > 500 MHz) - SEE SHEET 4
11 dB TYPICAL (WITH LNA SELECTED & > 500 MHz) - SHEET 4
- OUTPUT P1dB: _____ 1.5 dBm (WITH INTERNAL FIXED 12 dB ATTENUATOR)
- INTERNAL SWITCH ISOLATION: _____ 40 dB TYPICAL
- GAIN TO NO GAIN, SWITCHING SPEED:— <1.5 μ s TYPICAL AND PER TIMING DIAGRAM - SEE SHEET 5
- INTERNAL FIXED ATTENUATOR VALUE:— 12 dB (USER CHANGEABLE FOR IN-SYSTEM OPTIMIZATION)
- AC POWER: _____ 110 VAC, 60 Hz (WATERPROOF RECEPTACLE, FEMALE SOCKETS, 3 POSITION)
- RF CONNECTORS: _____ SMA FEMALE
- SIZE: _____ 6.0" X 5.0" X 1.5"
- SEALING: _____ INTERNALLY SEALED - WEATHER PROOF
- FINISH: _____ BLUE EPOXY POLIMIDE COATING IAW MIL-C-22750, TYPE I OVER EPOXY POLIMIDE PRIMER IAW MIL-P-23377, TYPE I, CLASS 1 OR 3.

ENVIRONMENTAL RATINGS

- TEMPERATURE: _____ -20 °C TO +50 °C (OPERATING)
-40 °C TO +85 °C (STORAGE)
- HUMIDITY: _____ MIL-STD-202F, METHOD 103B COND. B
- SHOCK: _____ MIL-STD-202F, METHOD 213B COND. B
- ALTITUDE: _____ MIL-STD-202F, METHOD 105C COND. B
- TEMPERATURE CYCLE: — MIL-STD-202F, METHOD 107D COND. A

NOTE: SPECIFICATIONS WILL VARY OVER OPERATING TEMPERATURE

NOTE: THE ABOVE SPECIFICATIONS ARE SUBJECT TO CHANGE OR REVISION

ALL DIMENSIONS ARE IN INCHES
TOLERANCES:
X.XX \pm 0.020
X.XXX \pm 0.010

PMI CONFIDENTIAL AND PROPRIETARY

REVISIONS				
ZONE	REV.	DESCRIPTION	DATE	APPROVED
	1	ORIGINAL RELEASE	5/15/15	
	2	SPECIFICATION CHANGES	11/4/2015	

PLANAR MONOLITHICS INDUSTRIES, INC.
7311-F GROVE ROAD
FREDERICK, MARYLAND 21704 USA
TEL: (301)-662-5019, FAX: (301)-662-1731
WEB: www.pmi-rf.com, EMAIL: sales@pmi-rf.com
ISO 9001 CERTIFIED



APPROVALS		DATE	TITLE			REV.
DRAWN <i>M. Berry</i>		05/12/15	PRODUCT FEATURE ADM-10M18G-SFF-110VAC			2
CHECKED			SIZE A	FSCM NO. 05XQ0	DWG NO. 27025451	
ISSUED			SCALE N:S		SHEET 3 OF 5	

DESCRIPTION

PMI MODEL NO. ADM-10M18G-SFF-110VAC IS A STATE-OF-THE-ART 10 MHz TO 18.0 GHz INTEGRATED SUBSYSTEM THAT ALLOWS USERS TO INPUT RF SIGNALS AND PROVIDE AUTOMATIC DETECTION WHEN SIGNAL LEVELS FALL BELOW -30 dBm AND AUTOMATICALLY SWITCH IN A LOW NOISE AMPLIFIER SUCH THAT LOW LEVEL SIGNALS CAN REMAIN DETECTABLE. THE PURPOSE OF THIS MODULE IS TO PROVIDE OPTIMUM RF SIGNAL LEVELS TO A RF/FIBER CONVERTER MODULE. THE UNIT IS POWERED BY STANDARD 110VAC. THE RF INPUT IS VIA A SMA FEMALE CONNECTOR AND THE OUTPUT IS VIA A SMA FEMALE CONNECTOR. THIS PRODUCT IS CONFIGURED FOR IN SYSTEM OPTIMIZATION SUCH THAT THE END USER CAN CHANGE THE VALUE OF THE FIXED ATTENUATOR LEVEL BY CHANGING THE INTERNAL SMA SCREW-ON ATTENUATOR.

REVISIONS				
ZONE	REV.	DESCRIPTION	DATE	APPROVED
	1	ORIGINAL RELEASE	5/15/15	
	2	SPECIFICATION CHANGES	11/4/2015	

FIGURE 1



FIGURE 2



FIGURE 3



FIGURE 4



CASCADE ANALYSIS			
FIGURE	POWER INPUT	POWER OUTPUT TO MITEQ RF/FIBER	WITH OR WITHOUT LNA
1	+3.4 dBm	-15.63 dBm	WITHOUT LNA
2	-29 dBm	-48 dBm	WITHOUT LNA
3	-30 dBm	-15 dBm	WITH LNA
4	-104 dBm	-89 dBm	WITH LNA

ENVIRONMENTAL RATINGS

- TEMPERATURE: ——— -20 °C TO +50 °C (OPERATING)
 -40 °C TO +85 °C (STORAGE)
- HUMIDITY: ——— MIL-STD-202F, METHOD 103B COND. B
- SHOCK: ——— MIL-STD-202F, METHOD 213B COND. B
- ALTITUDE: ——— MIL-STD-202F, METHOD 105C COND. B
- TEMPERATURE CYCLE: ——— MIL-STD-202F, METHOD 107D COND. A

NOTE: SPECIFICATIONS WILL VARY OVER OPERATING TEMPERATURE

NOTE: THE ABOVE SPECIFICATIONS ARE SUBJECT TO CHANGE OR REVISION

ALL DIMENSIONS ARE IN INCHES
 TOLERANCES:
 .XXX ±0.020
 .XXXX ±0.010

PMI CONFIDENTIAL AND PROPRIETARY

PLANAR MONOLITHICS INDUSTRIES, INC.
 7311-F GROVE ROAD
 FREDERICK, MARYLAND 21704 USA
 TEL: (301)-662-5019, FAX: (301)-662-1731
 WEB: www.pmi-rf.com, EMAIL: sales@pmi-rf.com
 ISO 9001 CERTIFIED



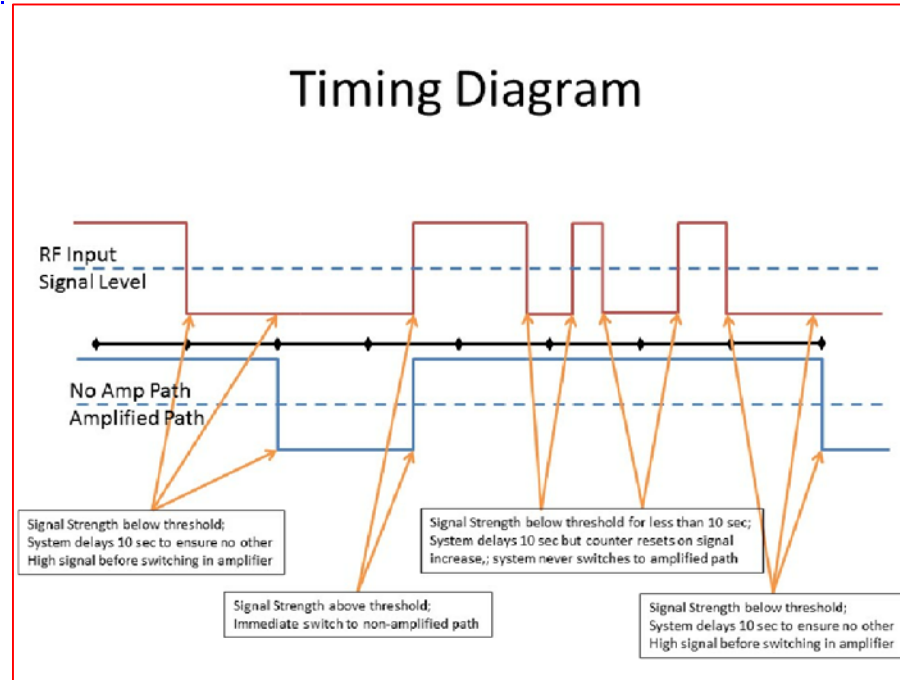
APPROVALS		DATE	TITLE			
DRAWN <i>M. Berry</i>		05/12/15	PRODUCT FEATURE ADM-10M18G-SFF-110VAC			
CHECKED			SIZE	FSCM NO.	DWG NO.	REV.
ISSUED			A	05XQ0	27025451	2
			SCALE	N:S		SHEET 4 OF 5

DESCRIPTION

PMI MODEL NO. ADM-10M18G-SFF-110VAC IS A STATE-OF-THE-ART 10 MHz TO 18.0 GHz INTEGRATED SUBSYSTEM THAT ALLOWS USERS TO INPUT RF SIGNALS AND PROVIDE AUTOMATIC DETECTION WHEN SIGNAL LEVELS FALL BELOW -30 dBm AND AUTOMATICALLY SWITCH IN A LOW NOISE AMPLIFIER SUCH THAT LOW LEVEL SIGNALS CAN REMAIN DETECTABLE. THE PURPOSE OF THIS MODULE IS TO PROVIDE OPTIMUM RF SIGNAL LEVELS TO A RF/FIBER CONVERTER MODULE. THE UNIT IS POWERED BY STANDARD 110VAC. THE RF INPUT IS VIA A SMA FEMALE CONNECTOR AND THE OUTPUT IS VIA A SMA FEMALE CONNECTOR. THIS PRODUCT IS CONFIGURED FOR IN SYSTEM OPTIMIZATION SUCH THAT THE END USER CAN CHANGE THE VALUE OF THE FIXED ATTENUATOR LEVEL BY CHANGING THE INTERNAL SMA SCREW-ON ATTENUATOR.

REVISIONS				
ZONE	REV.	DESCRIPTION	DATE	APPROVED
	1	ORIGINAL RELEASE	5/15/15	
	2	SPECIFICATION CHANGES	11/4/2015	

Timing Diagram



ENVIRONMENTAL RATINGS

- TEMPERATURE: ————— -20 °C TO +50 °C (OPERATING)
-40 °C TO +85 °C (STORAGE)
- HUMIDITY: ————— MIL-STD-202F, METHOD 103B COND. B
- SHOCK: ————— MIL-STD-202F, METHOD 213B COND. B
- ALTITUDE: ————— MIL-STD-202F, METHOD 105C COND. B
- TEMPERATURE CYCLE: ——— MIL-STD-202F, METHOD 107D COND. A

NOTE: SPECIFICATIONS WILL VARY OVER OPERATING TEMPERATURE

NOTE: THE ABOVE SPECIFICATIONS ARE SUBJECT TO CHANGE OR REVISION

ALL DIMENSIONS ARE IN INCHES
TOLERANCES:
X.XX ±0.020
X.XXX ±0.010

PMI CONFIDENTIAL AND PROPRIETARY

PLANAR MONOLITHICS INDUSTRIES, INC.
7311-F GROVE ROAD
FREDERICK, MARYLAND 21704 USA
TEL: (301)-662-5019, FAX: (301)-662-1731
WEB: www.pmi-rf.com, EMAIL: sales@pmi-rf.com
ISO 9001 CERTIFIED



APPROVALS		DATE	TITLE			
DRAWN <i>M. Berry</i>		05/12/15	PRODUCT FEATURE ADM-10M18G-SFF-110VAC			
CHECKED			SIZE A	FSCM NO. 05XQ0	DWG NO. 27025451	REV. 2
ISSUED			SCALE N:S		SHEET 5 OF 5	